



LONG LIFE

10W LED Bulb

LongLife LED Bulb is a designed evolution. Manufactured with high quality aluminum heat sink & leading industrial LED modules. This special item uses our patent tech, called COHS, which makes our bulb remove other thermal resistances between chips and heat sink, so the lifetime of the bulb would be longer than others. We devote ourselves to reduce the cost, while improving our lumens and quality. Our products are eco-friendly, without toxic materials, energy saving, and 100% made in Taiwan. Easy installation, instantly switch on, without UV and RF.

For all the reasons above, our products are "Long Life."

LED 10W Bulb Specifications

| Product Number | LBE27-10T1A-C0 | LBE27-10T1A-W0 |
|-------------------|----------------|----------------|
| Power Consumption | 10W ± 10% | 10W ± 10% |
| Output Voltage | 33V@330mA | 33V@330mA |
| AC Input Voltage | 110V/220V | 110V/220V |
| Field Angle | 210° | 210° |
| Color Temperature | 5500 ± 300K | 3000 ± 200K |
| Chip Lumens | 800 ± 10%Lm | 600 ± 10%Lm |
| CRI | 70 | 80 |
| Life Span | >30,000hr | >30,000hr |
| Equilibrium Temp. | 60°C | 60°C |

Features

- ✧ Wide Angle
- ✧ Low Light Decay
- ✧ Low Heat
- ✧ 1 Year Warranty
- ✧ Made in Taiwan

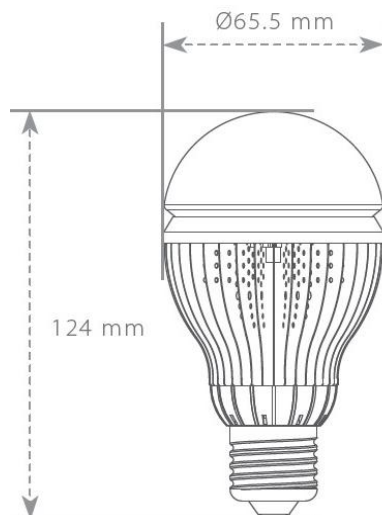
Applications

- ✓ Office
- ✓ House
- ✓ Store
- ✓ Interior Space

➤ Product Picture

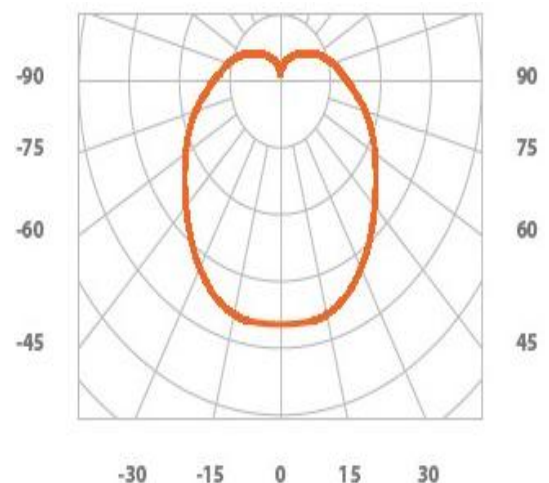


➤ Product Dimension



Net Weight: 135g ±10%

➤ Lighting Diagram



Sankou Technology Co.,LTD

TEL:+ 886-3-3620863 E-MAIL: sales@sankou.com.tw



For more information, please visit our website: www.sankou.com.tw

2F, No.33, Hsing Pang Rd., Kuei-Shan Industrial District, Taoyuan Country 330, Taiwan.